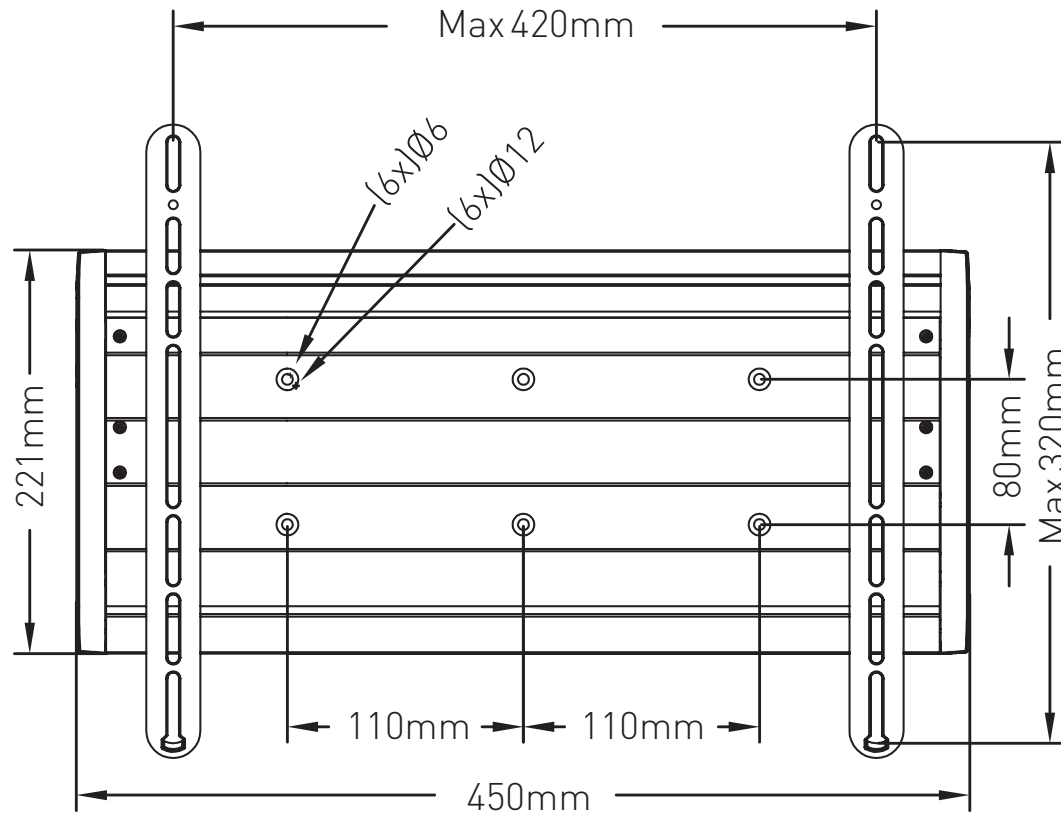


Specifications for 2C Bracket IT: 2C820



Features:

2C820

- Maximum Load 30kg
- Suits VESA Hole Patterns (mm)
 - 75 x 75
 - 100 x 100
 - 200 x 100
 - 200 x 200
 - 400 x 200
- Maximum Hole Pattern 420 x 330
- Tilt 15° Forward
- Suits M4, M5, or M6 Threaded Holes
- Fully Flat from wall 36mm